

DOXI VALVES

A MEMBER OF  XUANDA GROUP





DOXI

Lined ball valve

Lined ball valve

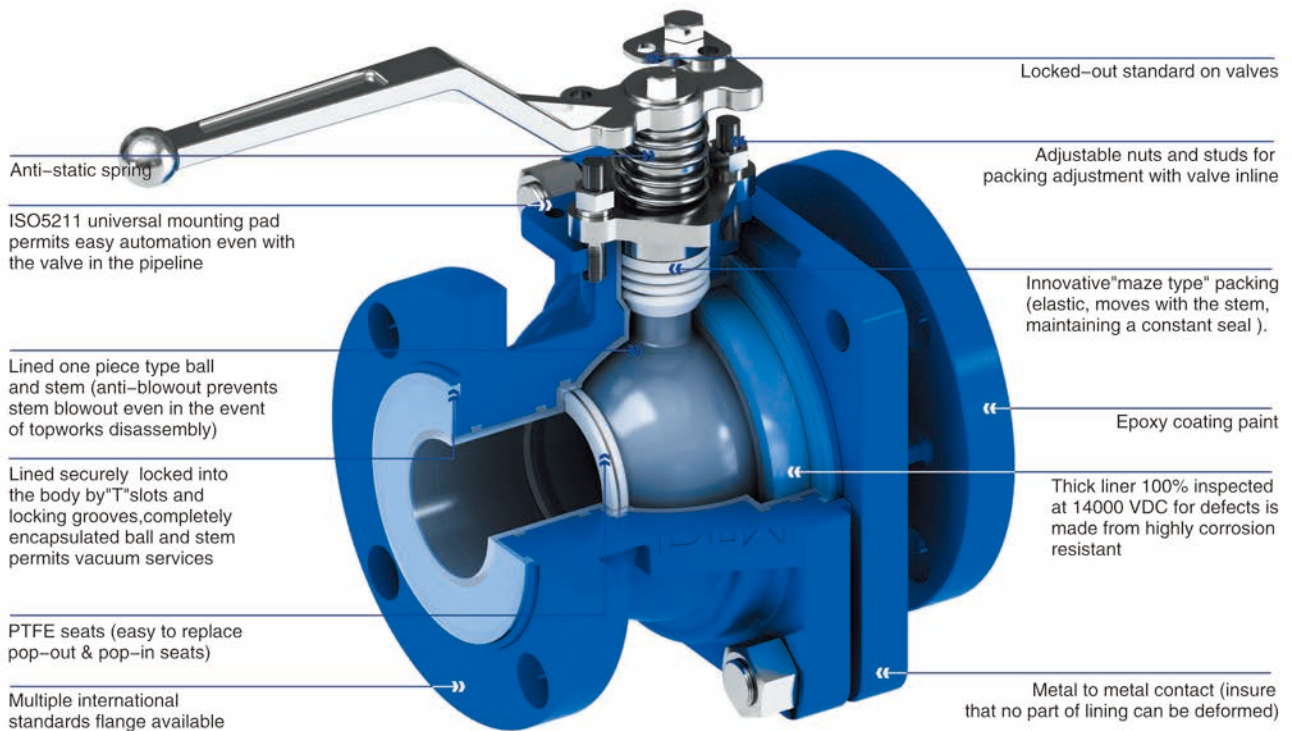
DOXI

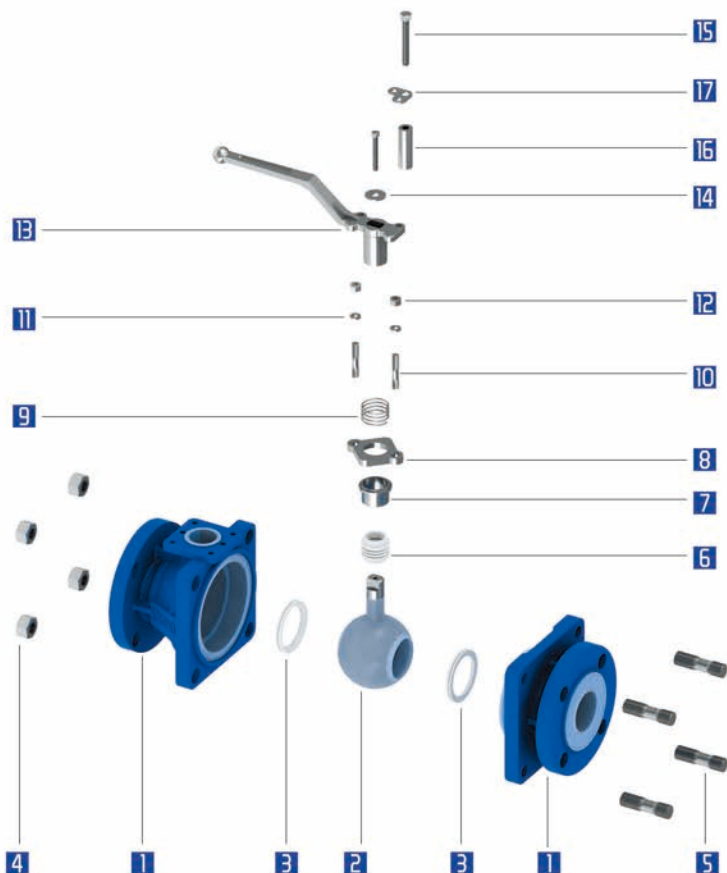
| | |
|------------------------|---|
| Size | 15mm~300mm (0.5"~12") |
| Working pressure | 0.1mbar~16 bar |
| Temperature range | -20° C ~ 200° C according to working conditions, other temperatures on request. |
| Design and Manufacture | API 608 DIN 3357 JIS B2071 |
| Face to Face | ASME B16.10 DIN 3202 JIS B2002 |
| Flange Ends | ASME B16.5 DIN 2532 JIS B2212 |
| Visual Inspection | MSS Sp54 |
| Testing | API 598 DIN 12569 JIS B2003 |
| Pressure & Temperature | ASME B16.34 |
| Operator Type | Lever/ Gear/ Pneumatic/ Electric |
| Spark testing | 14kv |



■ Lined ball valve

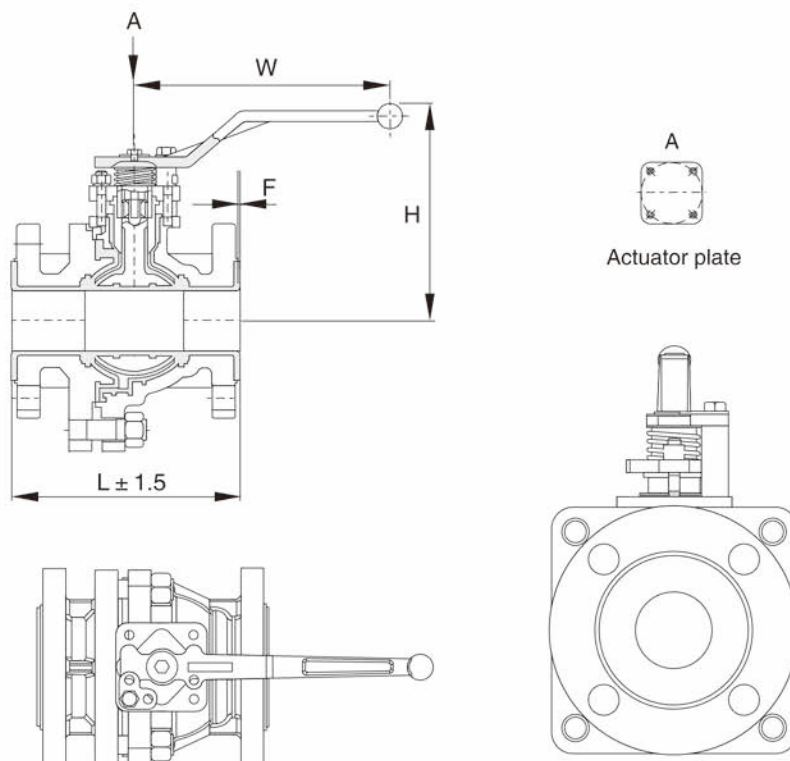
The DOXI ball valves are ideally suited for corrosive applications, requiring reliable performance, tight shutoff, and constant torque. The valves successfully handle a multitude of corrosive applications in industries such as chemical, petrochemical, pharmaceutical, pulp and paper, foundries and mining like sulphuric acid, etc.





MATERIALS SELECTION

| No | Description | Qty. | Materials | Materials According to Norms | | |
|----|---------------------------|------|------------------------------|------------------------------|---------------|------------------------|
| | | | | ASME | JIS | DIN |
| 1 | Body | 2 | Carbon Steel+PFA/FEP/ETFE | A216 WCB | G5151-SCPH2 | GS-45(1.0446) |
| | | | Stainless Steel+PFA/FEP/ETFE | A351 CF8 | G5121 SCS13A | G-X6CrNiMo1810 |
| | | | Ductile Iron+PFA/FEP/ETFE | ASTM A395 | FCD40 | GGG-40 (0.7040) |
| 2 | ONE-PIECE BALL | 1 | Carbon Steel+PFA/FEP/ETFE | A216 WCB | G5151-SCPH2 | GS-45(1.0446) |
| | | | Stainless Steel+PFA/FEP/ETFE | A351 CF8 | G5121 SCS13A | G-X6CrNiMo1810 |
| | | | Ductile Iron+PFA/FEP/ETFE | ASTM A395 | FCD40 | GGG-40 (0.7040) |
| 3 | SEAT RING | 2 | PTFE | - | - | - |
| 4 | STUD BOLT | 4 | Stainless Steel | A 182 F304 | G4303-SUSF304 | X5CrNi18 10 DIN 1.4301 |
| 5 | NUT | 4 | Stainless Steel | A 182 F304 | G4303-SUSF304 | X5CrNi18 10 DIN 1.4301 |
| 6 | PACKING MATERIAL | 1 | PTFE | - | - | - |
| 7 | SHAFT SLEEVE | 1 | Stainless Steel | A 182 F304 | G4303-SUSF304 | X5CrNi18 10 DIN 1.4301 |
| 8 | GLAND | 1 | Stainless Steel | A 182 F304 | G4303-SUSF304 | X5CrNi18 10 DIN 1.4301 |
| 9 | ANTI-STATIC SPRING | 1 | Stainless Steel | A 182 F304 | G4303-SUSF304 | X5CrNi18 10 DIN 1.4301 |
| 10 | STUD BOLT | 2 | Stainless Steel | A 182 F304 | G4303-SUSF304 | X5CrNi18 10 DIN 1.4301 |
| 11 | WASHER | 2 | Stainless Steel | A 182 F304 | G4303-SUSF304 | X5CrNi18 10 DIN 1.4301 |
| 12 | NUT | 2 | Stainless Steel | A 182 F304 | G4303-SUSF304 | X5CrNi18 10 DIN 1.4301 |
| 13 | HANDLE | 1 | Stainless Steel | A 182 F304 | G4303-SUSF304 | X5CrNi18 10 DIN 1.4301 |
| 14 | WASHER | 2 | Stainless Steel | A 182 F304 | G4303-SUSF304 | X5CrNi18 10 DIN 1.4301 |
| 15 | BOLT | 2 | Stainless Steel | A 182 F304 | G4303-SUSF304 | X5CrNi18 10 DIN 1.4301 |
| 16 | LEVER STOP | 1 | Stainless Steel | A 182 F304 | G4303-SUSF304 | X5CrNi18 10 DIN 1.4301 |
| 17 | LOCKER | 1 | Stainless Steel | A 182 F304 | G4303-SUSF304 | X5CrNi18 10 DIN 1.4301 |



* Unit: mm **DIMENSION**

| DN | NPS | ASME 150LB | | | JIS 10K | | | DIN Pn10 | | | A ISO 5211 | Weight [kg] | CV | Torque [N · m] |
|-----|-----|------------|----------|-----|---------|----------|-----|----------|----------|-----|---------------|----------------|-------|-------------------|
| | | L | H | W | L | H | W | L | H | W | | | | |
| 15 | ½ | 108 | 126 | 160 | 130 | 126 | 160 | 130 | 126 | 160 | F05 | 3.5 | 20 | 9 |
| 20 | ¾ | 117 | 126 | 160 | 150 | 126 | 160 | 150 | 126 | 160 | F05 | 4.6 | 20 | 9 |
| 25 | 1 | 127 | 131 | 160 | 160 | 131 | 160 | 160 | 131 | 160 | F05 | 5 | 55 | 9 |
| 32 | 1¼ | 140 | 131 | 160 | 180 | 131 | 160 | 180 | 131 | 160 | F05 | 5.5 | 55 | 20 |
| 40 | 1½ | 165 | 160 | 200 | 200 | 160 | 200 | 200 | 160 | 200 | F07 | 11 | 210 | 20 |
| 50 | 2 | 178 | 170 | 200 | 230 | 170 | 200 | 230 | 170 | 200 | F07 | 14 | 310 | 26 |
| 65 | 2½ | 190 | 170 | 200 | 290 | 170 | 200 | 290 | 170 | 200 | F07 | 19 | 310 | 26 |
| 80 | 3 | 203 | 230 | 260 | 310 | 230 | 260 | 310 | 230 | 260 | F07 | 28.8 | 684 | 65 |
| 100 | 4 | 229 | 265 | 313 | 350 | 265 | 313 | 350 | 265 | 313 | F10 | 44.8 | 1546 | 91 |
| 125 | 5 | / | 265 | 313 | 400 | 265 | 313 | 400 | 265 | 313 | F10 | 51 | 1546 | 91 |
| 150 | 6 | 267 | 347 | 535 | 480 | 347 | 535 | 480 | 347 | 535 | F12 | 96.2 | 3262 | 143 |
| 200 | 8 | 292 | | | 600 | | | 600 | | | F14 | 118 | 4565 | 364 |
| 250 | 10 | 533 | Gear Box | | 730 | Gear Box | | 730 | Gear Box | | F14 | 330 | 10250 | 455 |
| 300 | 12 | 610 | | | 850 | | | 850 | | | F16 | 460 | 17500 | 494 |